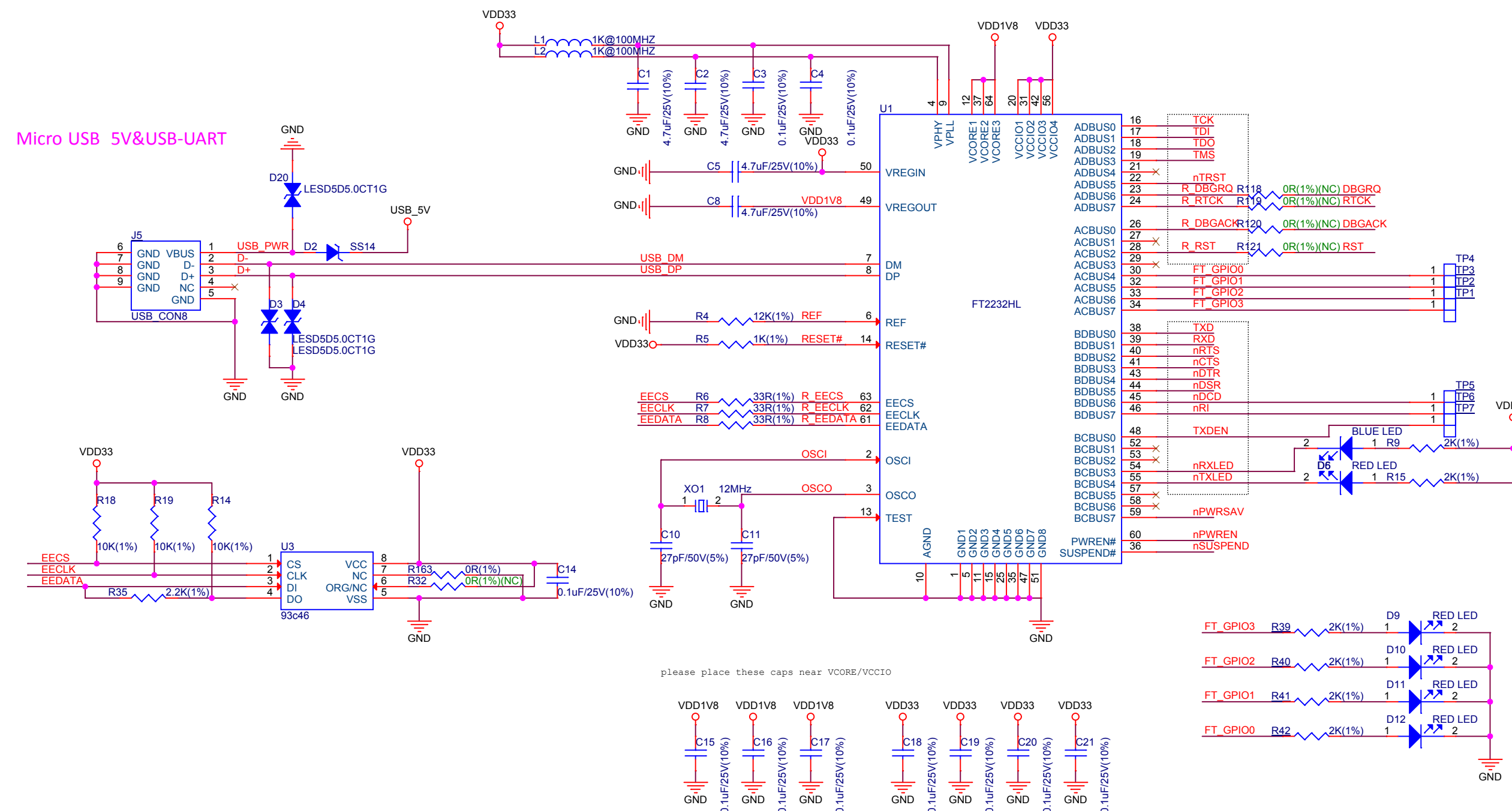
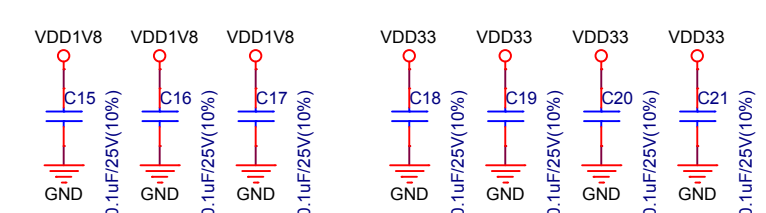


Serial-Port:

Micro USB 5V&USB-UART

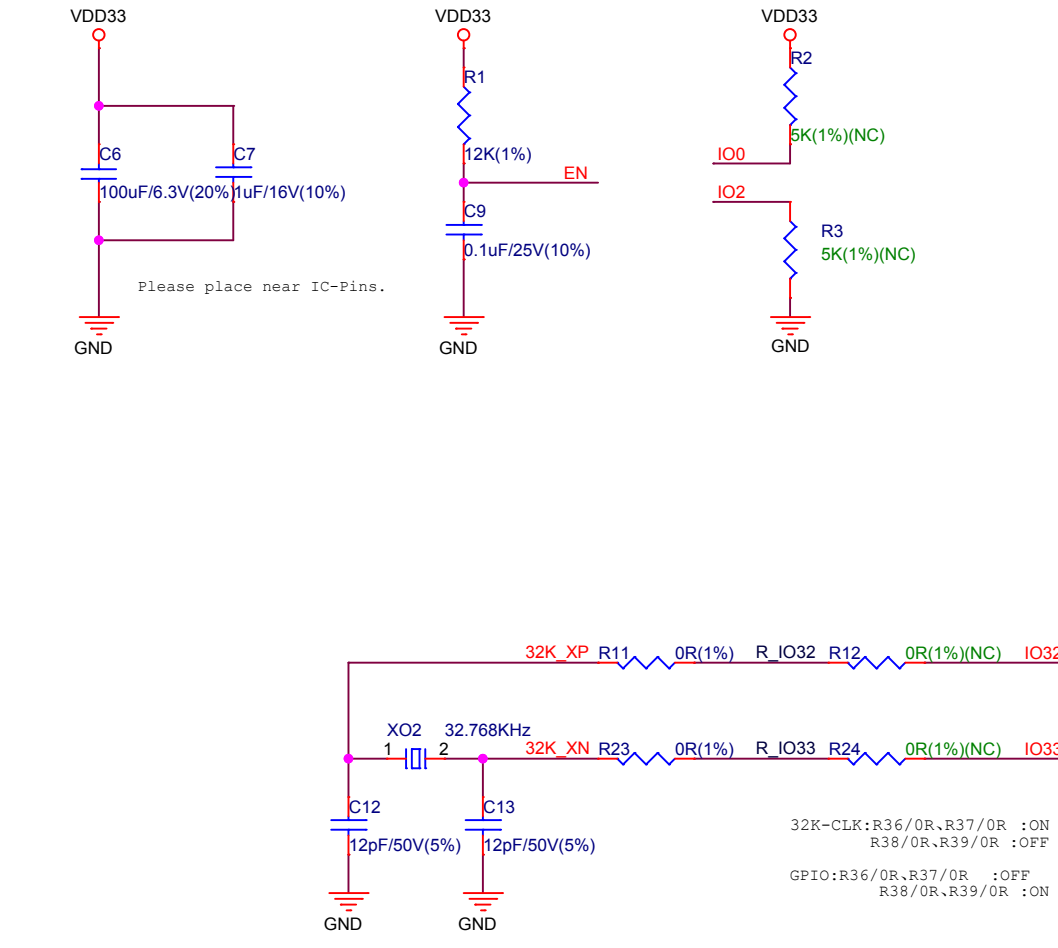
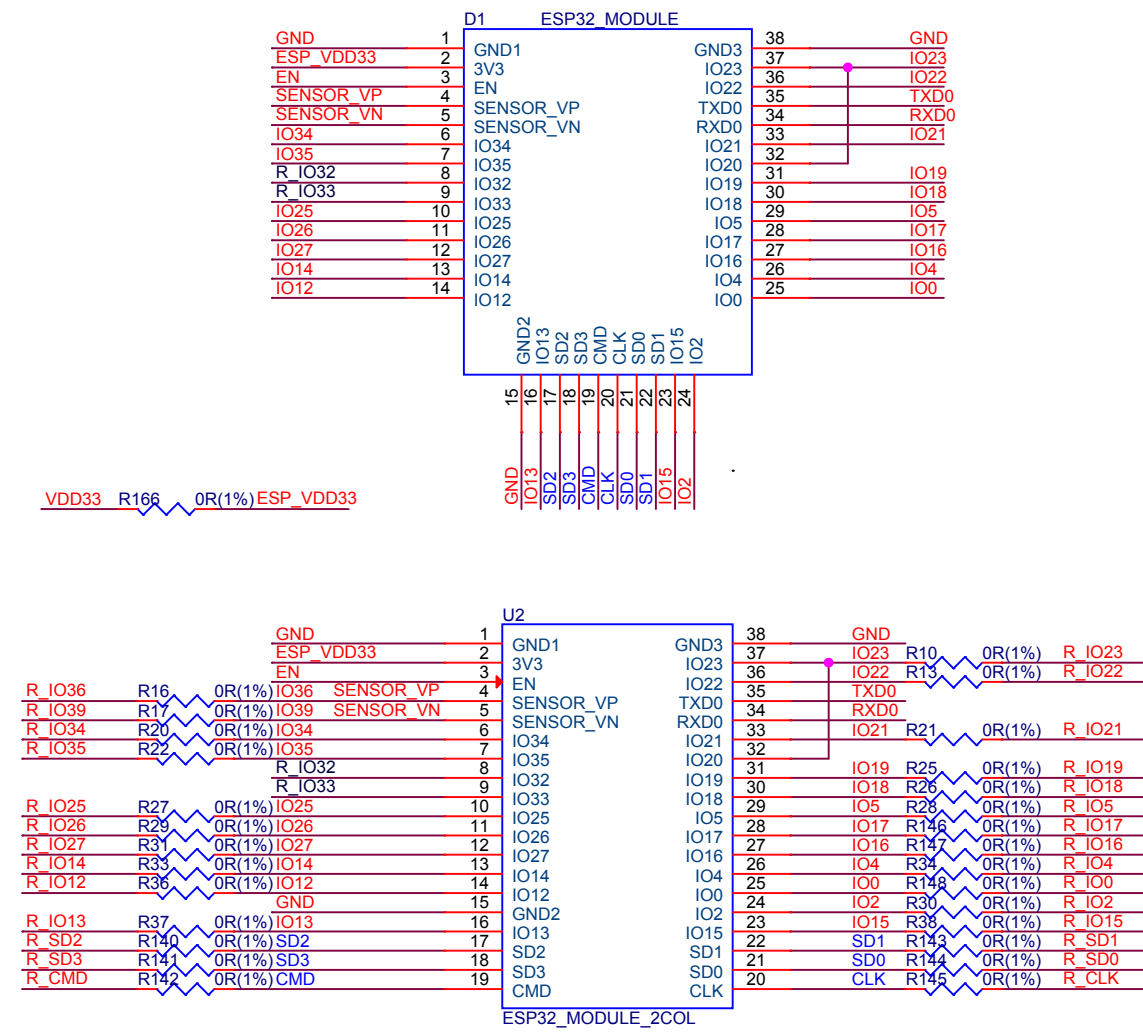


please place these caps near VDD1V8/VDD33

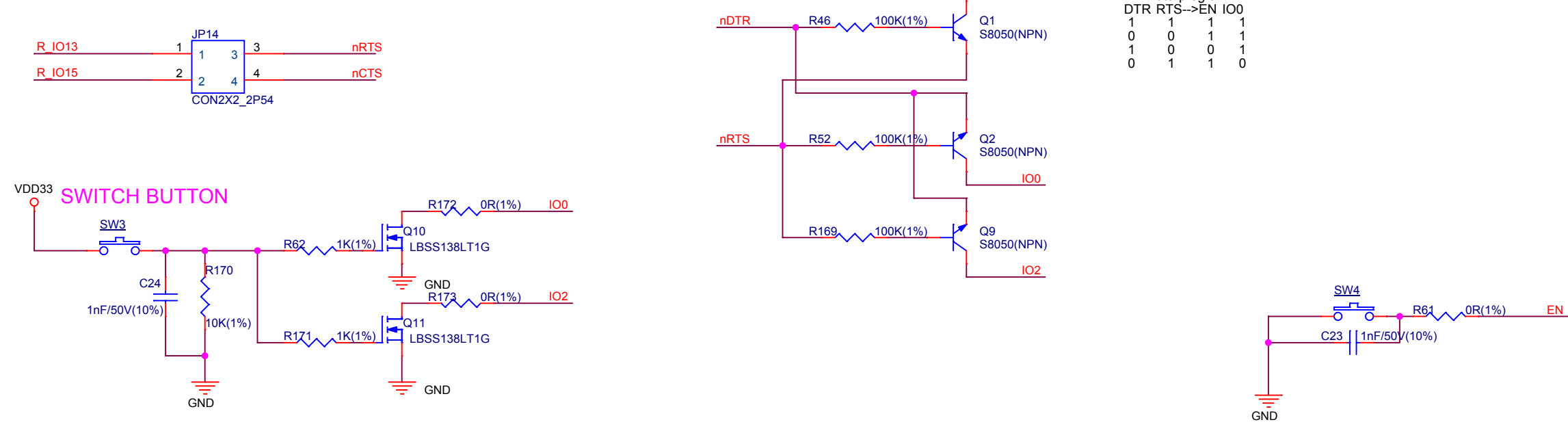


ESP32-Module:

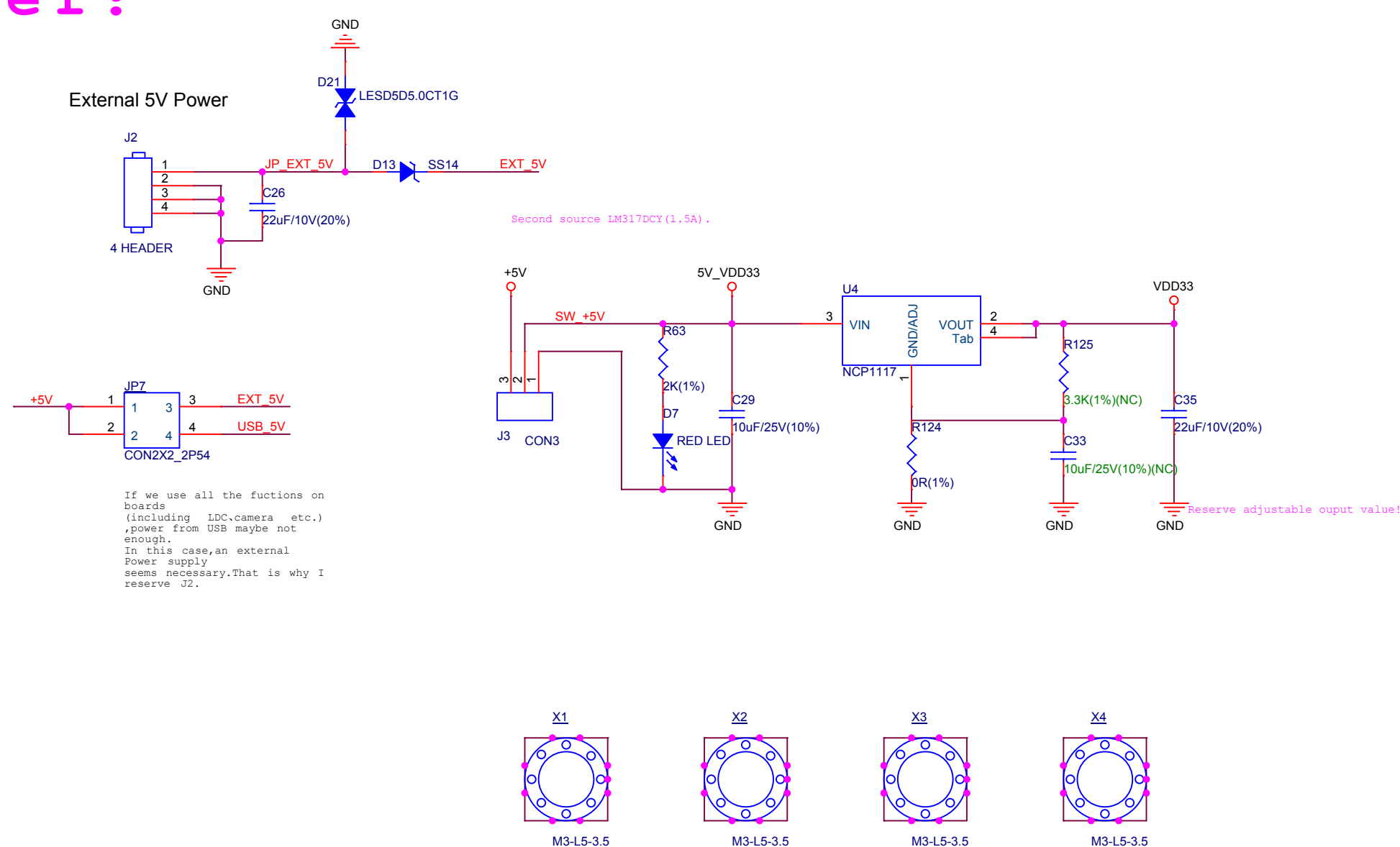
Support ESP32 Module:
compatible old and new module



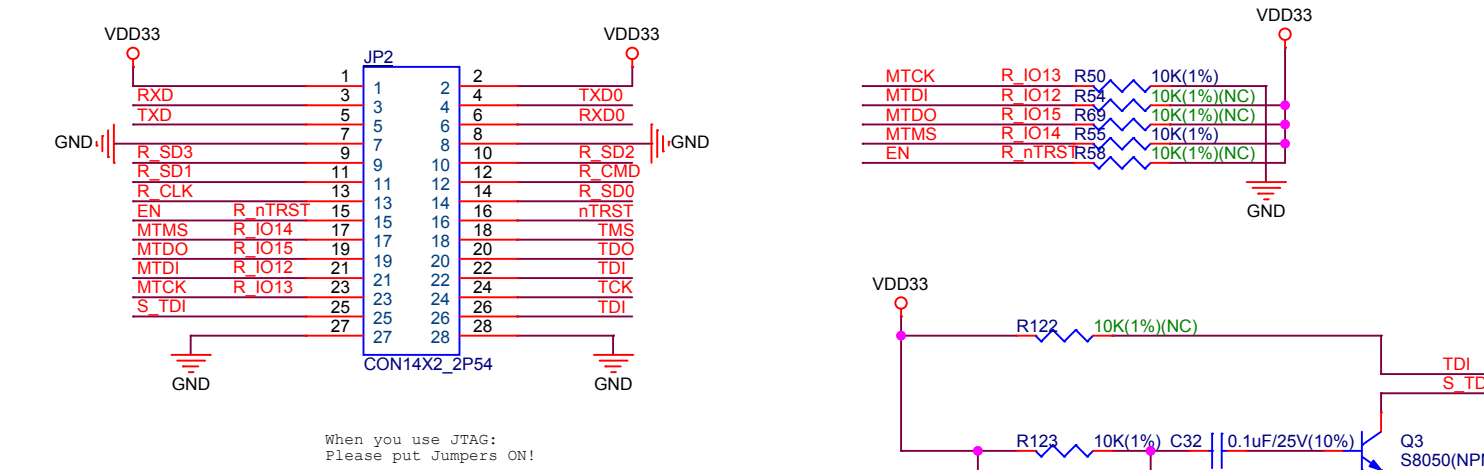
Switch:



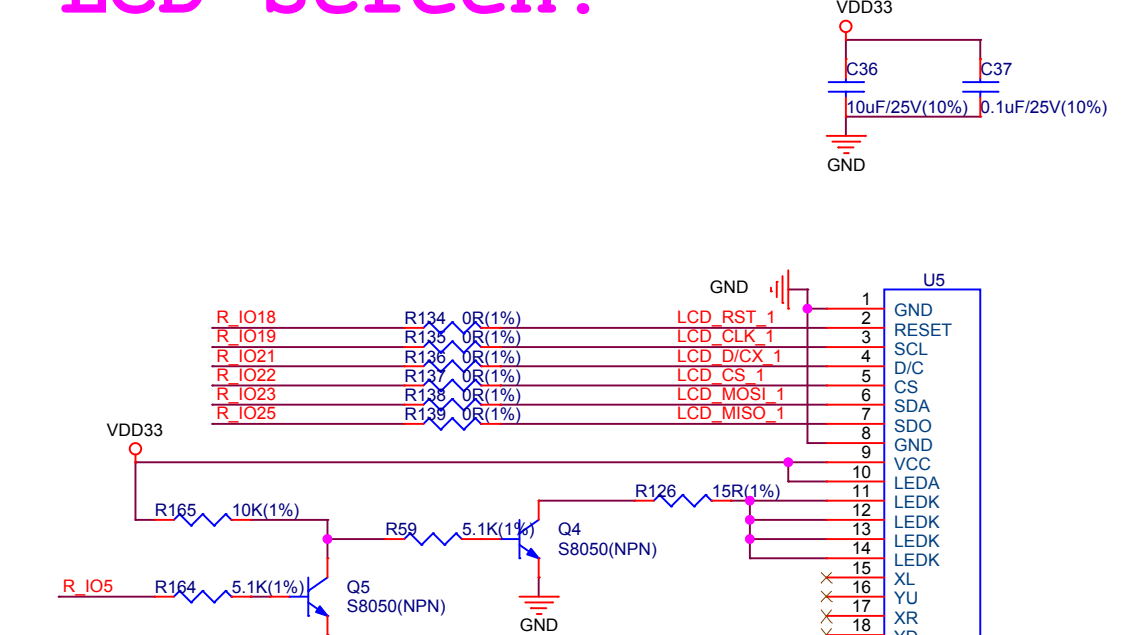
Power:



SPI & JTAG:

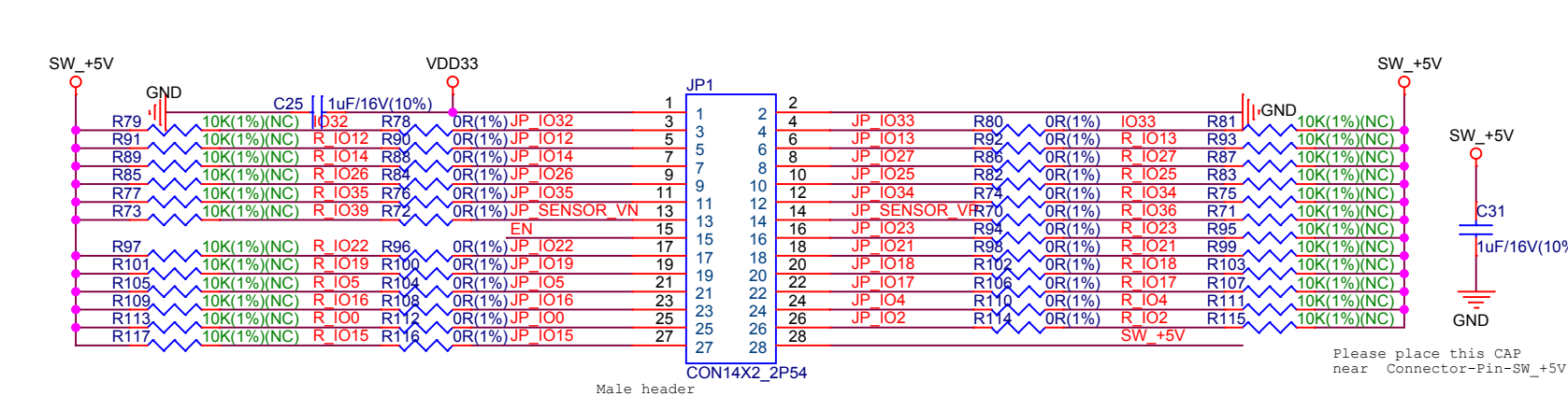


LCD Screen:



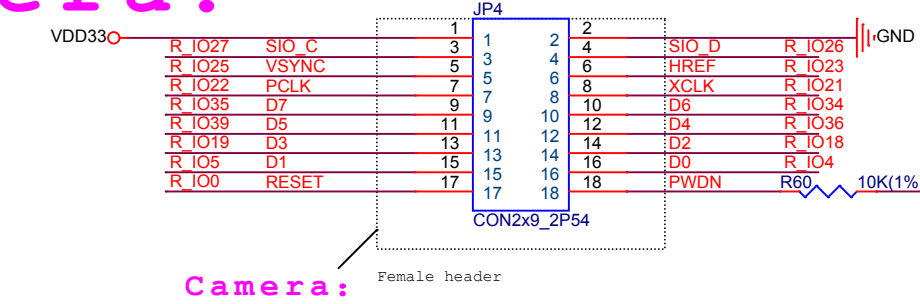
Connector:

For I/O expand

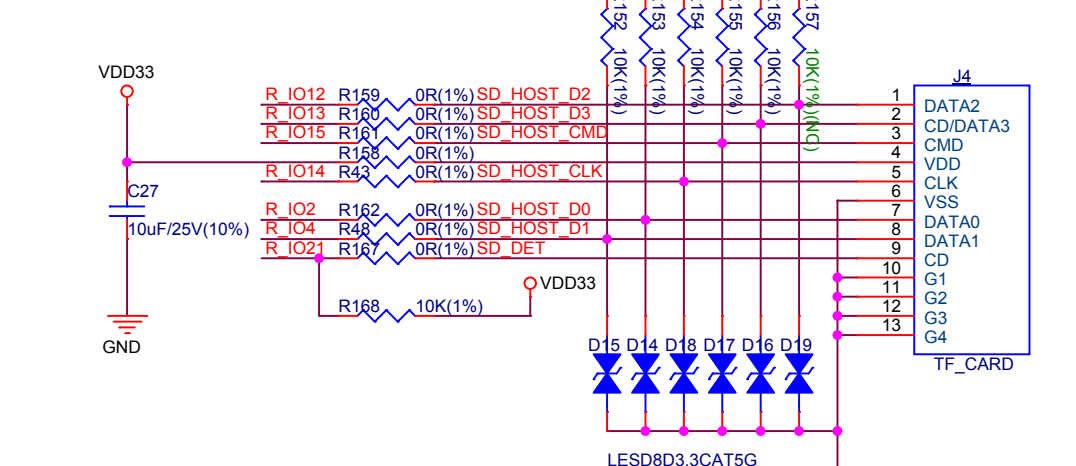


Camera:

Camera:



SD Card:



RGB:

